



A classic bathware collection

CATALOGUE 2020



TORA

TORA SANITARYWARES

Khokhra Hanuman Road, Bela Village (Rangpar),
Dist. Morbi - 363642 (Guj.) INDIA.
Customer care : +91 95122 41418
E-mail: torasanitarywares@gmail.com

TORA



COMPANY PROFILE

Dear Colleagues, Partners and Well-Wishers,

TORA Sanitary Wares is a modernized enterprise integrated with R&D, manufacturing, sales and services, having a complete set of integrated sales team, applying brand strategy, setting up enterprise image, and being the advocator and Pioneer in the field of Ceramics.

We are feeling very happy to introduce our new venture TORA SANITARYWARE with wide range of Sanitaryware products and accessories.

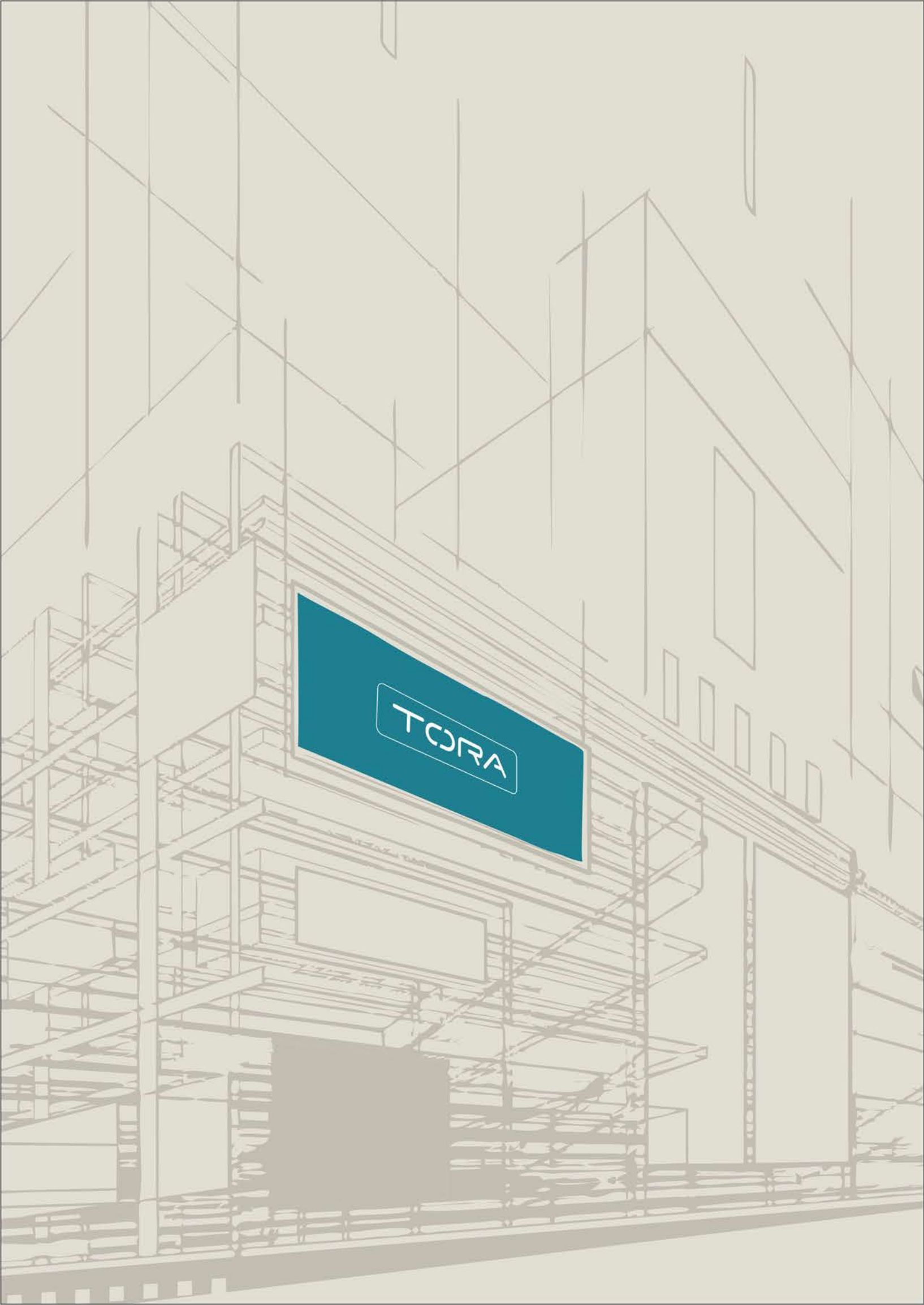
Keep improving and striving for excellence is the core strategy to our quality improvement. TORA SANITARYWARE is devoting itself to exploring deeper on global sanitary ware, so as to provide high-quality products and sincere, sophisticated services to the whole customers, to build up the better life for all human.

The people of TORA SANITARYWARE will put their best efforts in the direction of providing luxurious bathroom solutions to our respected customers. The dynamic team of marketing and the innovative technologists will design and style products for the demanding customers.

In our quest to make life great, we will always make our processes efficient to make pricing affordable to most of the people of our country and around the world. Our processes and management systems will be improved continuously to ensure that our bathroom solutions will value for money for the customer and a great business proposition for our dealers and distributors.

The future is challenging, but we are sure that we will beat the milestones set by us. We are setting a goal for 2022 to meet our vision of being the most recognized brand in bathroom solution for a long time that make homes better and lives happier. We inspire people to live their Dreams and drives Growth.

Together we can beat the Best and Lets Make it Happen.





Artis
the root
of life

PRODUCT CHARACTERISTICS



All seats and covers are subjected to a weight test.



All seats and covers are subjected to an open/close test.



All WC pans are subjected to an odor leakage test.



Saves water with only 1 Ltr. of water consumption.



Soft Close Seats & Covers
Soft Closing and silent
Special technology



Requires very little space and provides easy bottom cleaning.



Anti Bacterial Glazed

INDEX

- 1** ONE PIECE
Page 10 - 22

- 2** WATER CLOSET
Page 23 - 27

- 3** WALL HUNG
Page 28 - 35

- 4** TABLE TOP
Page 38 - 51

- 5** WASH BASIN PEDESTAL
Page 52 - 59

- 6** WASH BASIN HALF PEDESTAL
Page 60 - 61

- 7** COUNTER BASIN
Page 62

- 8** ONE PIECE BASIN
Page 63 - 67

- 9** WASH BASIN
Page 68 - 75

- 10** URINAL & PAN
Page 76 - 77

- 11** DESIGNER COLLECTION
Page 78 - 104

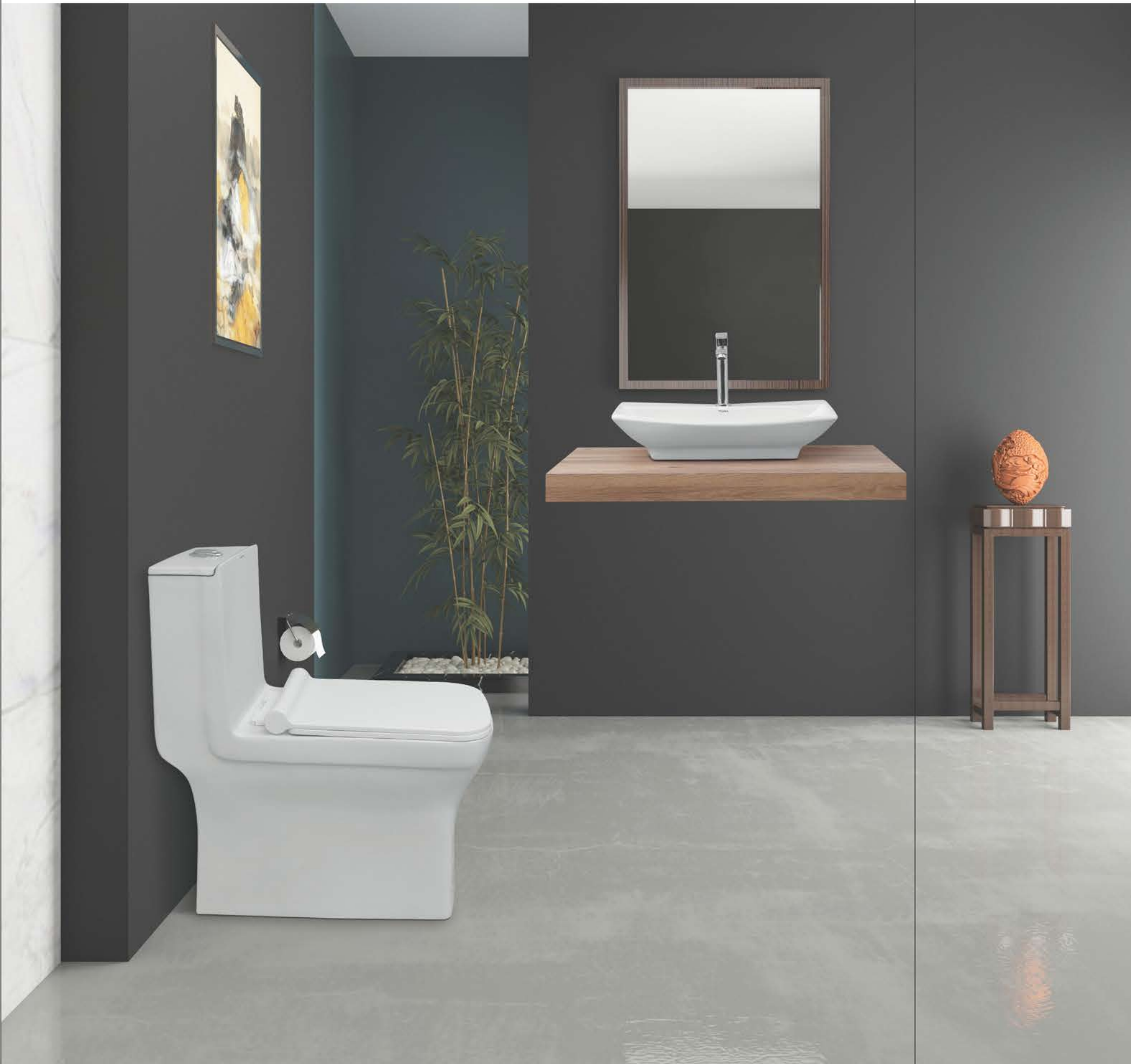
- 12** ACCESSORIES
Page 105



TOILETS



ONE PIECE
WATER CLOSET
WALL HUNG



1011 - Civik

L670xW360xH720mm
S Trap - 225mm(9"),100mm(4")



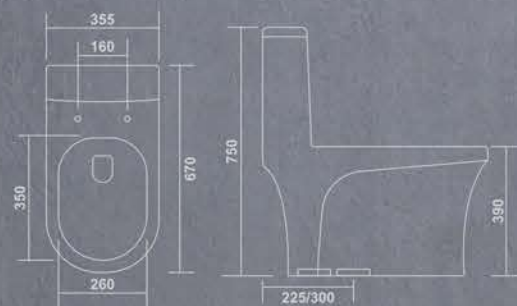
3302 - Yana

L560xW380xH120mm | 22"X15"

1005 - Volvo



RIMLESS | SYPHONIC
L670xW355xH750mm
S Trap - 225mm(9"), 300mm(12")



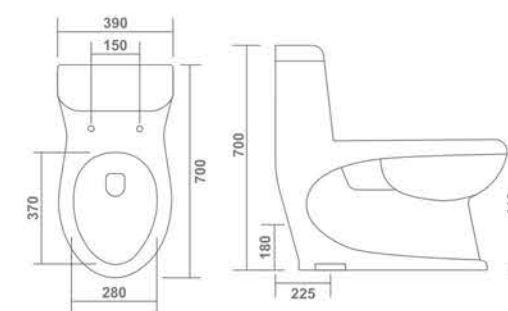
1006 - Duster

L670xW370xH715mm
S Trap - 225mm(9")



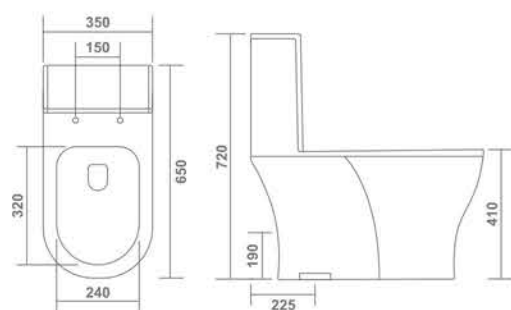
1007 - Brezza

L700xW390xH700mm
S Trap - 225mm(9")



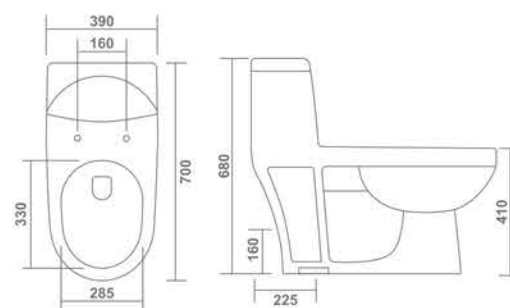
1009 - Verna

L650xW350xH720mm
S Trap - 225mm(9")



1008 - Creta

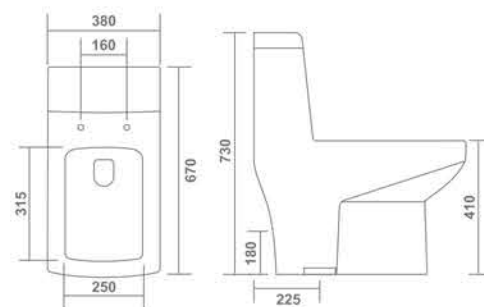
L700xW390xH680mm
S Trap - 225mm(9")





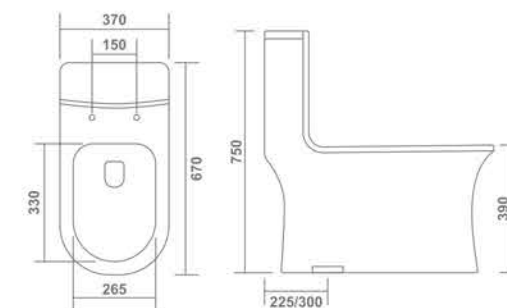
1010 - Rapid

L670xW380xH730mm
S Trap - 225mm(9")



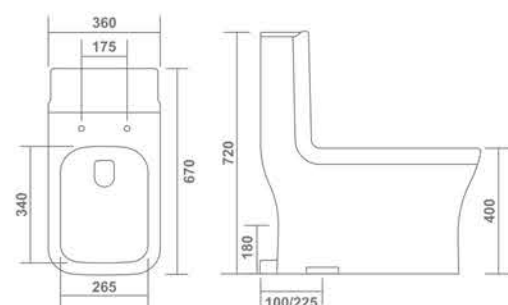
1012 - Vento

RIMLESS | SYPHONIC
L670xW370xH750mm
S Trap - 225mm(9"), 300mm(12")



1011 - Civik

L670xW360xH720mm
S Trap - 225mm(9"), 100mm(4")





1014 - Venus

4D-RIMLESS | SYPHONIC
L660xW360xH730mm
S Trap - 225mm(9"), 300mm(12")



3323 - Lino

L600xW380xH110mm | 24"X15"



6201 - Euro Set

(PED-201)
L570xW430xH850mm | 22"X17"



2008 - Spyker

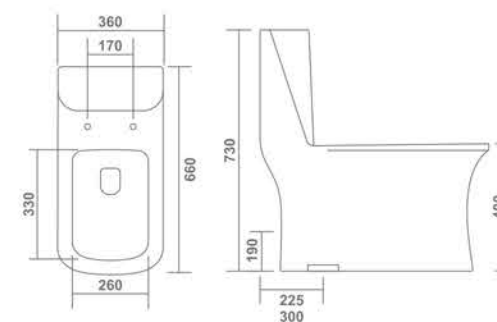
L490xW350xH340mm





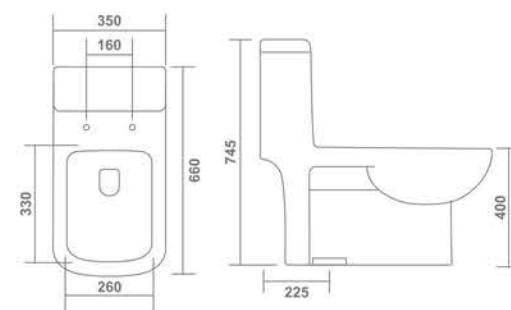
1014 - Venus

4D-RIMLESS | SYPHONIC
 L660xW360xH730mm
 S Trap - 225mm(9"), 300mm(12")



1013 - Ripon

L660xW350xH745mm
 S Trap - 225mm(9")



FAST WASH
AESTHETIC
& HYGIENE
4D TECHNOLOGY

BEGINNING OF A NEW ERA
OF 4D TECHNOLOGY



Square Concealed

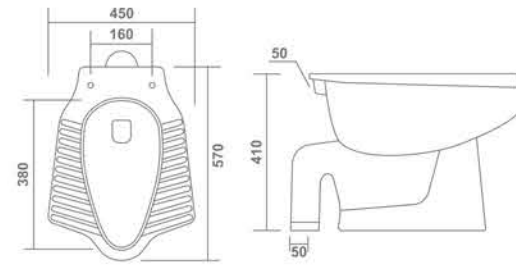
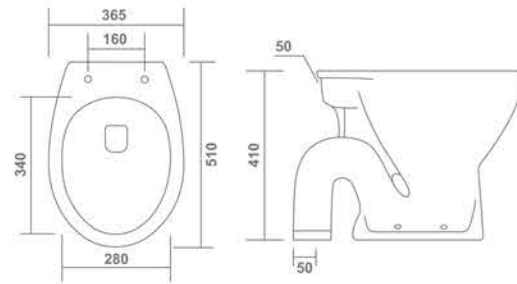
L505xW340xH400mm





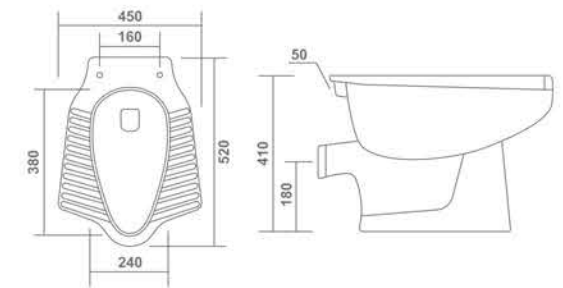
Cello - EWC-S

L510xW365xH410mm



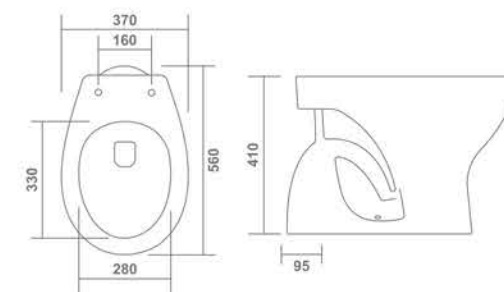
Anglo-S

L570xW450xH410mm



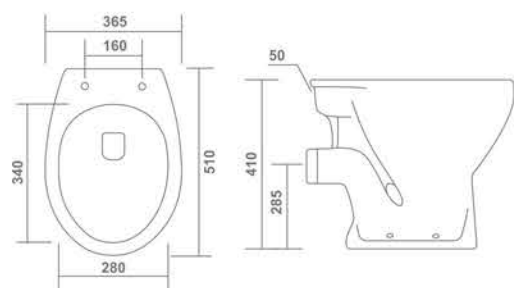
Anglo-P

L520xW450xH410mm



Cello - EWC-P

L510xW365xH410mm



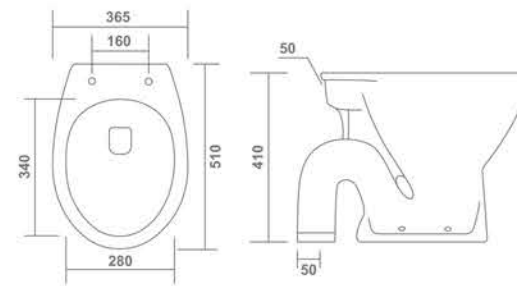
EWC - Concealed

L560xW370xH410mm



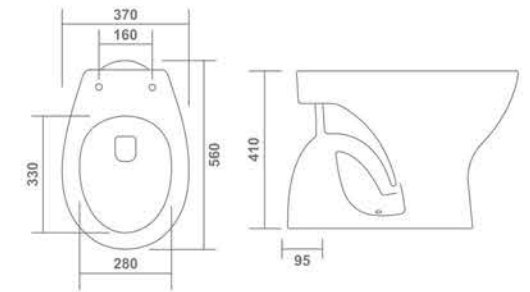
Cello - EWC-S

L510xW365xH410mm



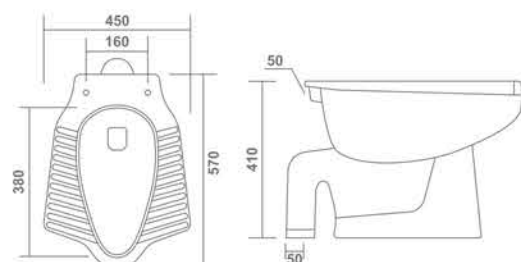
EWC- Concealed

L560xW370xH410mm



Anglo-S

L570xW450xH410mm



Square Concealed

L505xW340xH400mm





2005 - Classy

RIMLESS
L510xW360xH350mm



3310 - Toyo

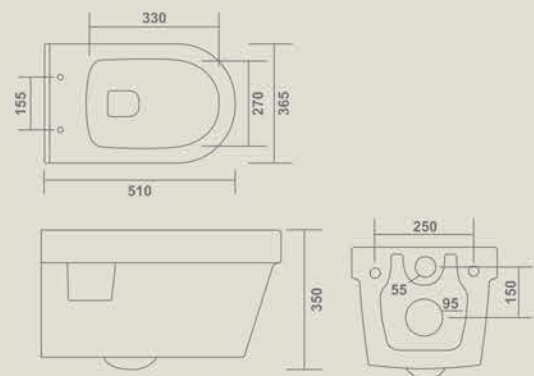
L430xW430xH130mm | 17"X17"





2004 - Morden

RIMLESS
L510xW365xH350mm



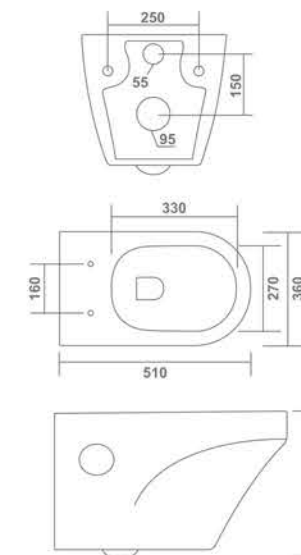
**RIMLESS
DESIGN**

Toilet bowl without an edge



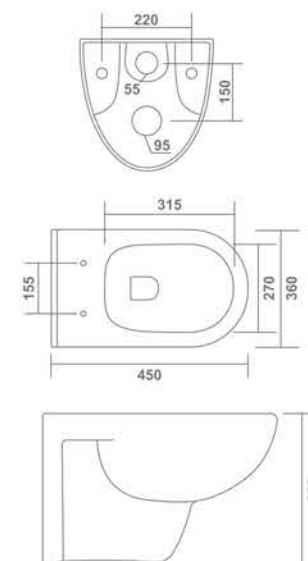
2005 - Classy

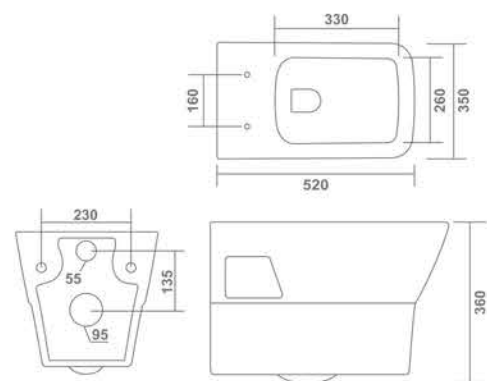
RIMLESS L510xW360xH350mm



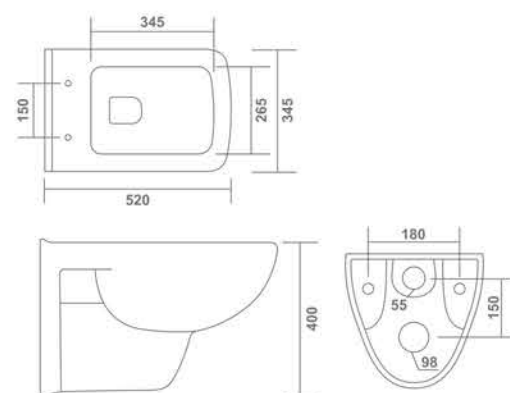
2003 - Croma

L450xW360xH360mm

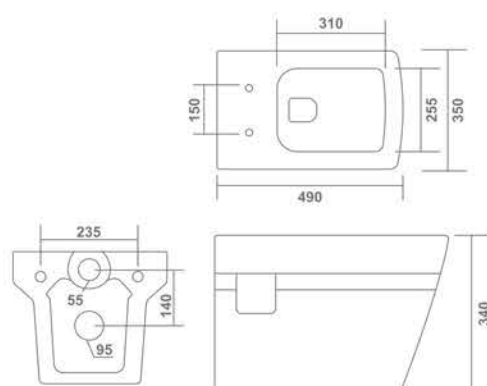




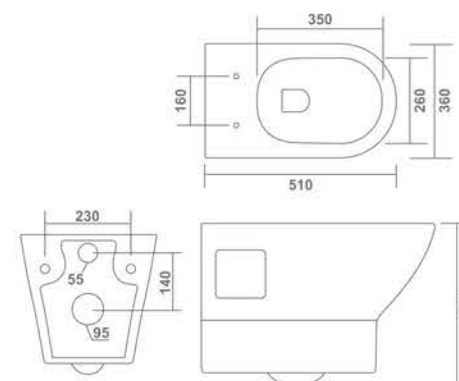
2006 - Cosmo L520xW350xH360mm



2007 - Crenza L520xW345xH400mm



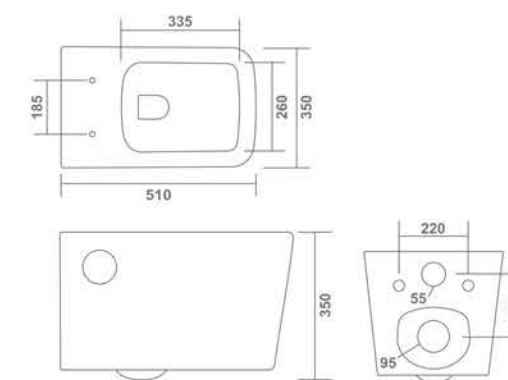
2008 - Spyker L490xW350xH340mm



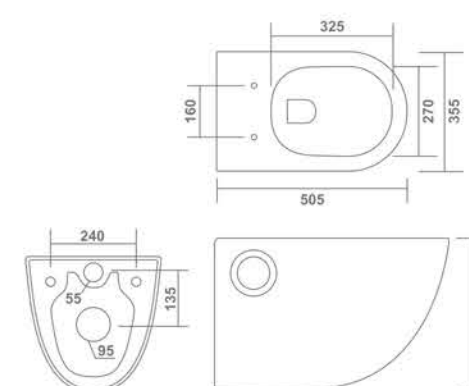
2009 - Coco RIMLESS L510xW360xH360mm



2011 - Iris L510xW350xH350mm



2012 - Rio L505xW355xH360mm





3319 - Smart

L500xW380xH130mm | 20"X15"



2011 - Iris

L510xW350xH350mm



BASINS



- TABLE TOP
- WASH BASIN PEDESTAL
- WASH BASIN HALF PEDESTAL
- COUNTER BASIN
- ONE PIECE BASIN
- WASH BASIN



3307 - Viva

L480xW365xH130mm | 19"X14"



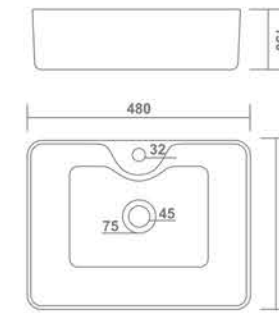
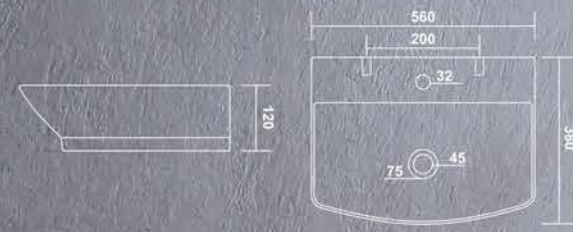
2006 - Cosmo

L520xW350xH360mm



3302 - Yana

L560xW380xH120mm | 22"X15"



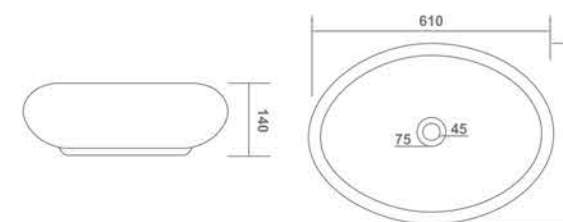
3307 - Viva

L480xW365xH130mm | 19"X14"



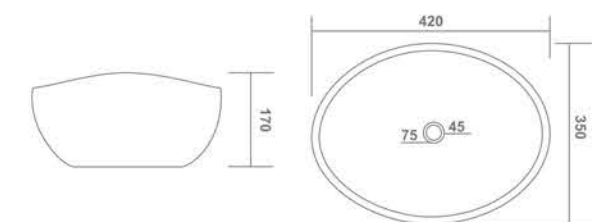
3304 - Vista

L610xW470xH140mm | 24"X19"



3303 - Apple

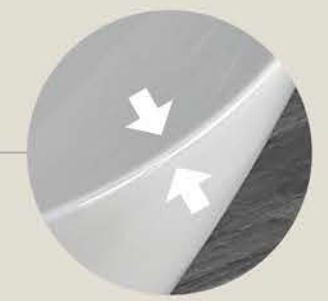
L420xW350xH170mm | 16"X14"



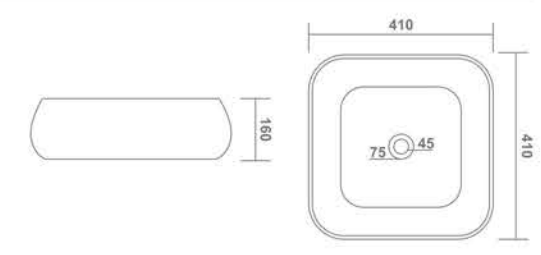
5mm Thickness
Thin Rim

Elegant THIN EDGE basin with fine edges that is only 5 mm in thickness. The Attractive clay art is made by the innovative material used by us.

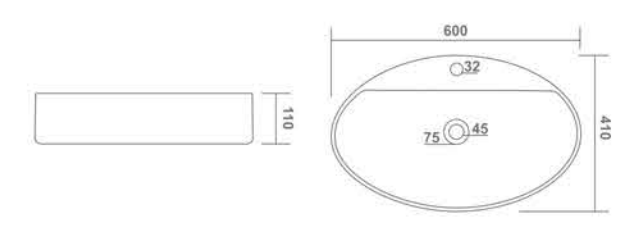
-  Extremely Light Weight
-  Perfectly Glazed



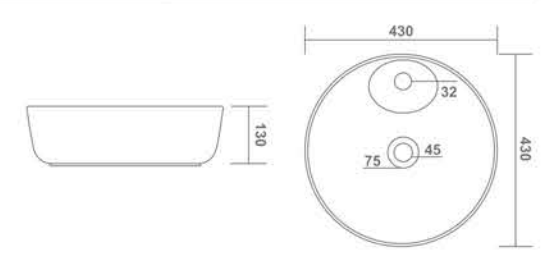
3308 - Lia | L410xW410xH160mm | 16"X16"



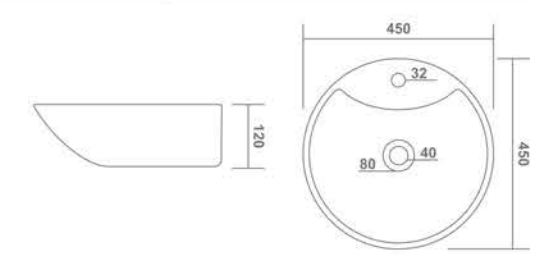
3309 - Alfa | L600xW410xH110mm | 24"X16"



3310 - Toyo | L430xW430xH130mm | 17"X17"



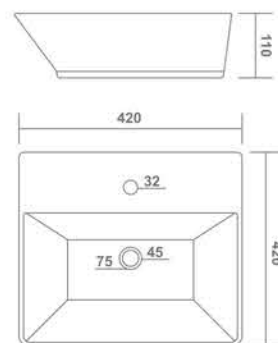
3311 - Rico | L450xW450xH120mm | 18"X18"





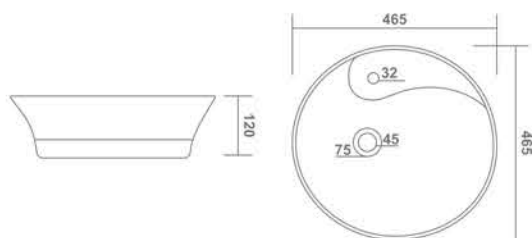
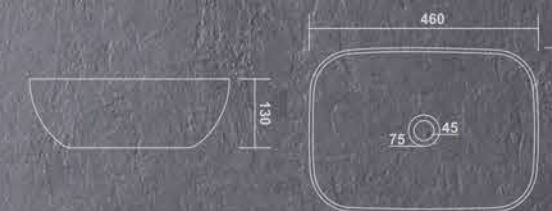
3313 - Erica

L420xW420xH110mm | 16"X16"



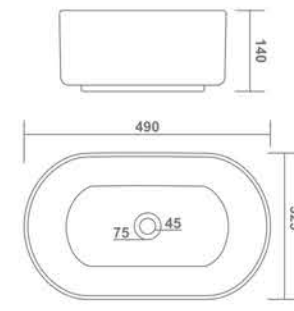
3315 - Nixon

L460xW340xH130mm | 18"X13"

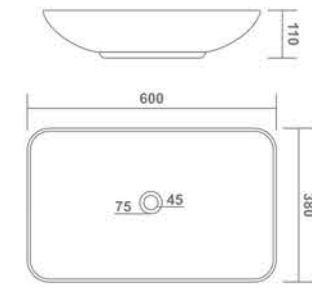


3317 - Selvo

L465xW465xH120mm | 18"X18"



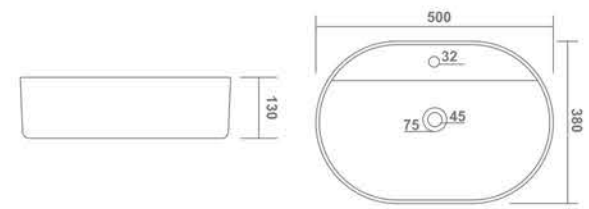
3320 - Smile | L490xW325xH140mm | 19"X13"



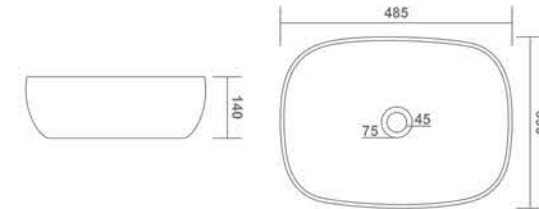
3323 - Lino | L600xW380xH110mm | 24"X15"



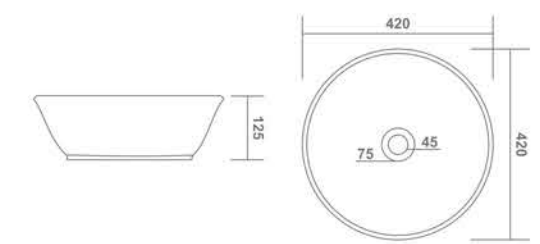
3319 - Smart | L500xW380xH130mm | 20"X15"

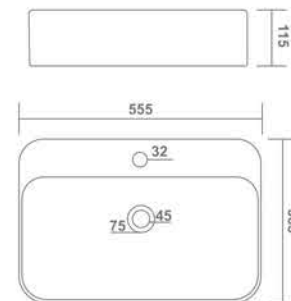


3321 - Pluto | L485xW390xH140mm | 19"X15"



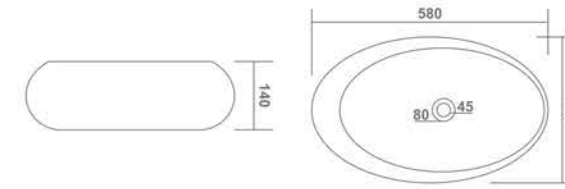
3322 - Spice | L420xW420xH125mm | 16"X16"





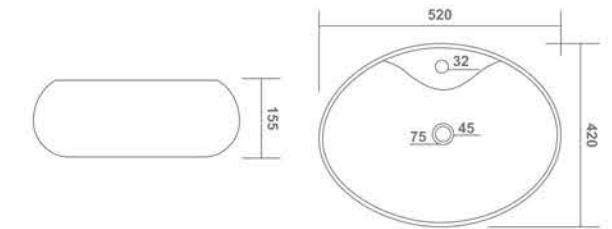
3324 - Sheep

L555xW385xH115mm | 22"X15"



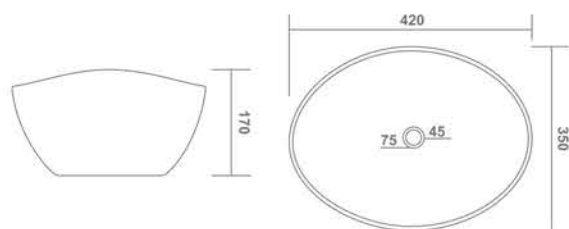
3326 - Zucca

L580xW375xH140mm | 23"X15"



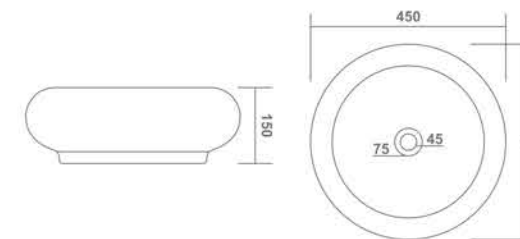
3327 - Star

L520xW420xH155mm | 20"X16"



3325 - Cherry

L420xW350xH170mm | 16"X14"

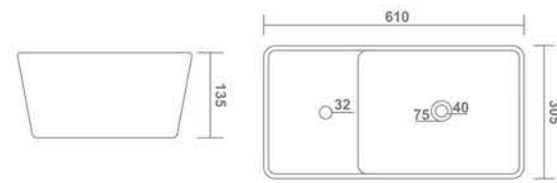


3328 - Avery

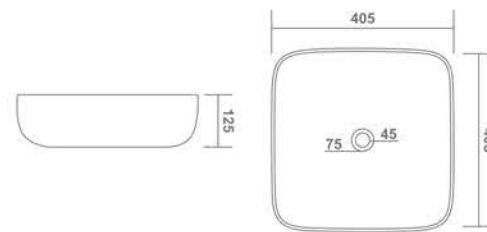
L450xW450xH150mm | 18"X18"



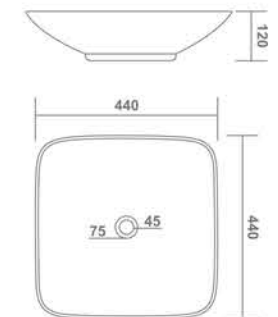
3329 - Grace | L610xW305xH135mm | 24"x12"



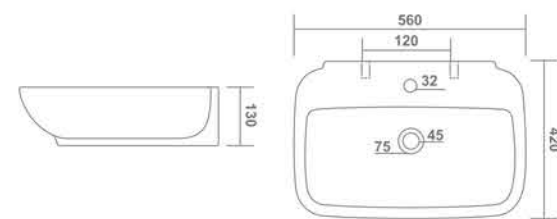
3330 - Orbit | L405xW405xH125mm | 16"x16"



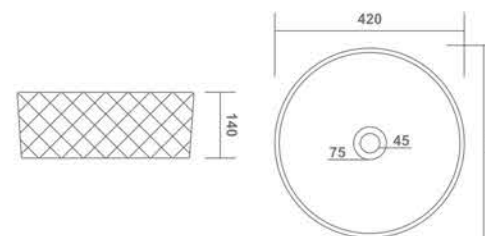
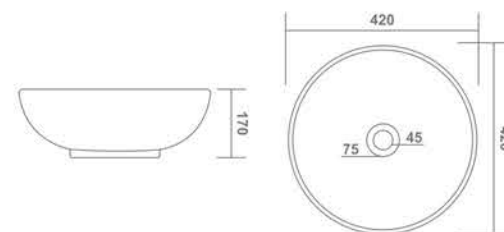
3335 - Latina | L440xW440xH120mm | 17"x17"



3331 - Specto | L560xW420xH130mm | 22"x16"



3332 - Plazma | L420xW420xH170mm | 16"x16"



3333 - Aron | L420xW420xH140mm | 16"x16"



6215 - Ray Set

(PED-215)
L570xW410xH845mm | 22"X16"



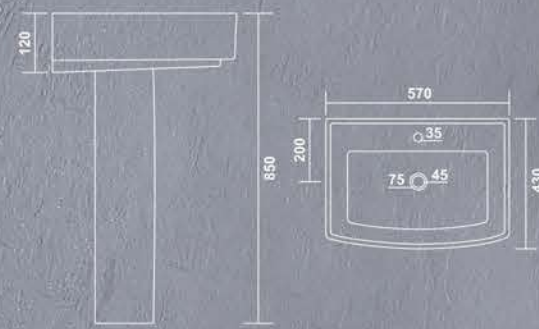
1005 - Volvo

RIMLESS | SYPHONIC
L670xW355xH750mm
S Trap - 225mm(9"), 300mm(12")



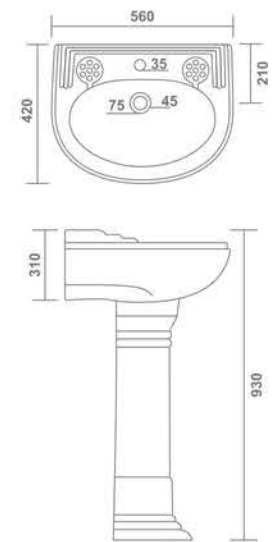
6201 - Euro Set

(PED-201)
L570xW430xH850mm | 22"X17"



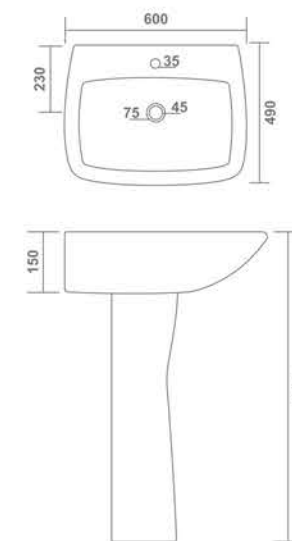
6202 - Serena Set

(PED-202)
L590xW480xH955mm | 23"X18"
L560xW420xH930mm | 22"X16"



6203 - Lexo Set

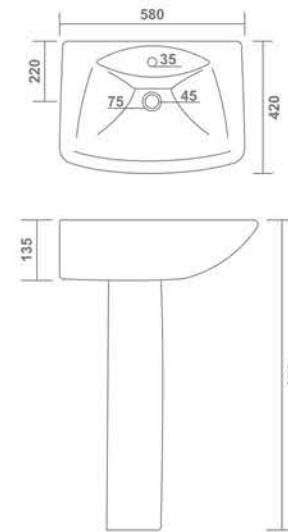
(PED-203)
L600xW490xH860mm | 23"X19"





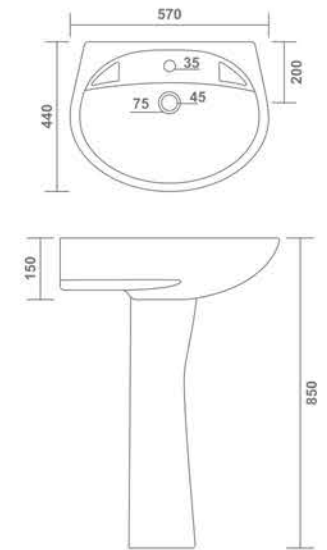
6205 - Royal Set

(PED-201)
L580xW420xH870mm | 23"x16"



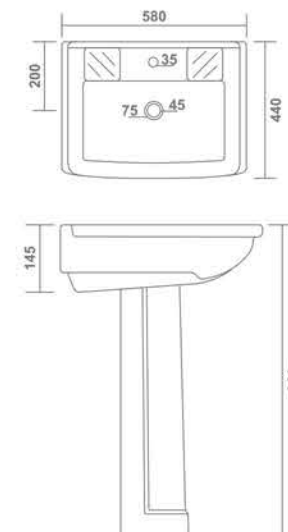
6207 - Deluxe Set

(PED-204)
L570xW440xH850mm | 22"x17"



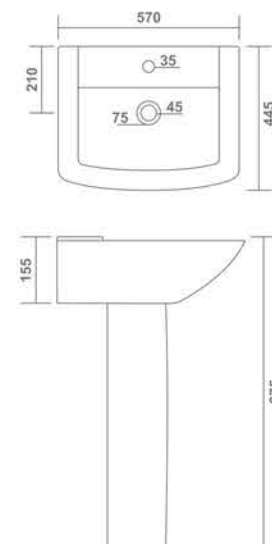
6206 - Sophia Set

(PED-206)
L580xW440xH860mm | 23"x17"



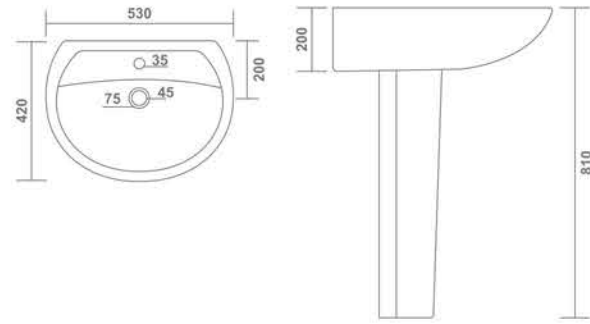
6210 - Yuga Set

(PED-201)
L570xW445xH875mm | 22"x17"



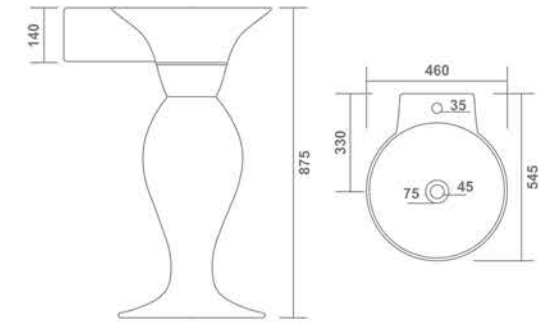
6211 - Glory Set

(PED-211)
L530xW420xH810mm | 21"x16"



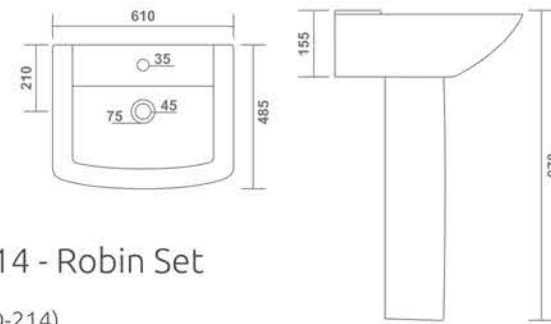
6213 - Dolphin Set

(PED-213)
L460xW545xH875mm | 18"x21"



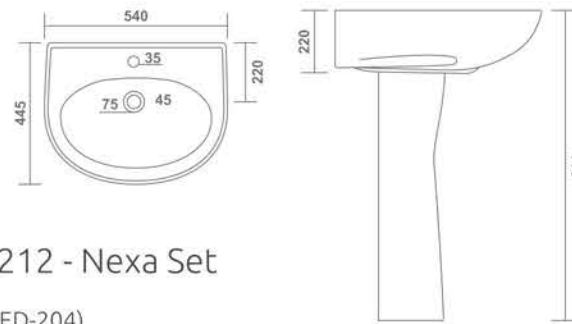
6214 - Robin Set

(PED-214)
L610xW485xH870mm | 24"x19"



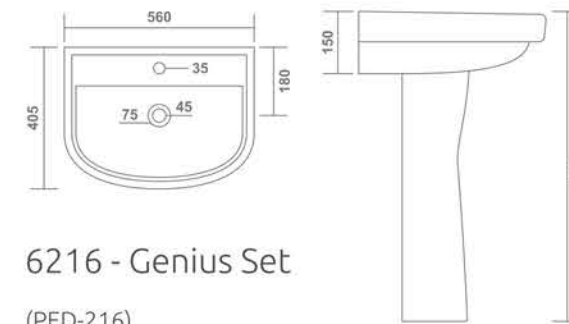
6212 - Nexa Set

(PED-204)
L540xW445xH830mm | 21"x17"



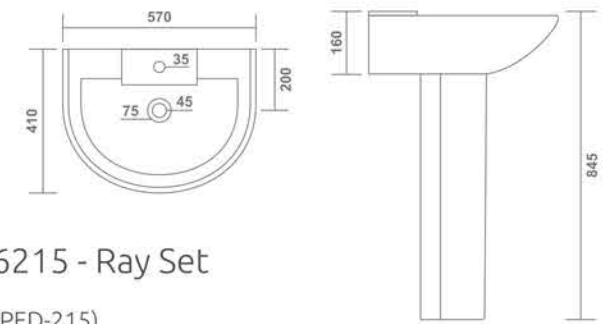
6216 - Genius Set

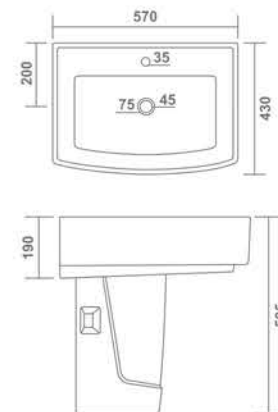
(PED-216)
L560xW405xH880mm | 22"x16"



6215 - Ray Set

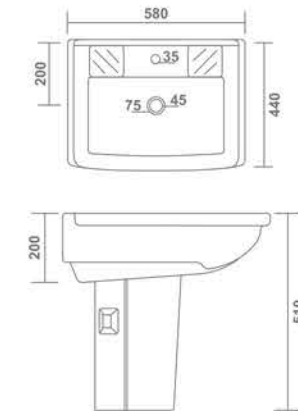
(PED-215)
L570xW410xH845mm | 22"x16"





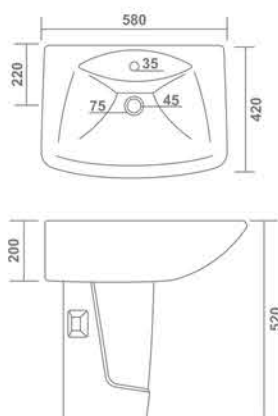
6201 - Euro

(PED-251) L570xW430xH505mm (22"x17")



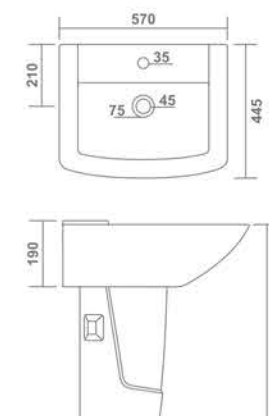
6206 - Sophia

(PED-252) L580xW440xH510mm (23"x17")



6205 - Royal

(PED-251) L580xW420xH520mm (23"x16")



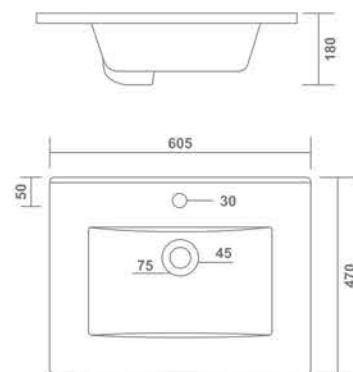
6210 - Yuga

(PED-251) L570xW445xH520mm (22"x17")



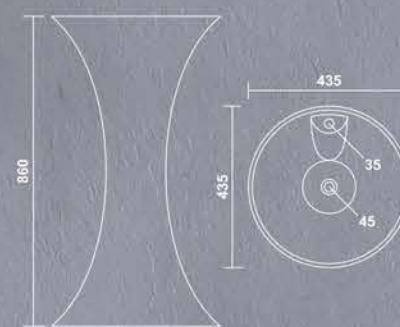
5505 - Omega

L605xW470xH180mm | 24"X19"



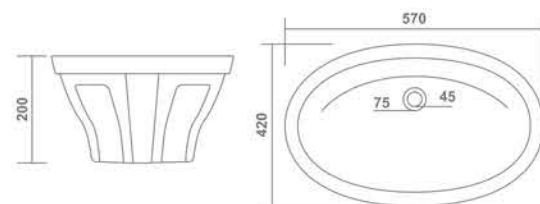
5555 - Atlanta

L435xW435xH860mm | 17"X17"



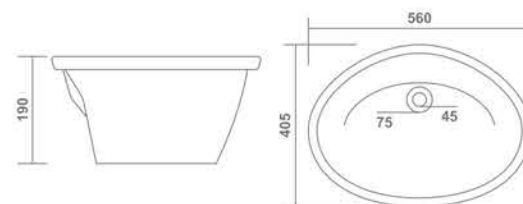
5504 - Ovel

L570xW420xH200mm | 22"X16"



5503 - Fifa

L560xW405xH190mm | 22"X16"





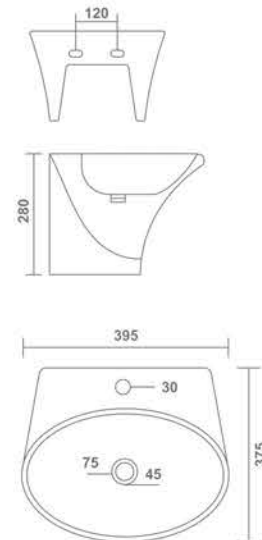
5551 - Compaq

L395xW375xH280mm | 15"X15"



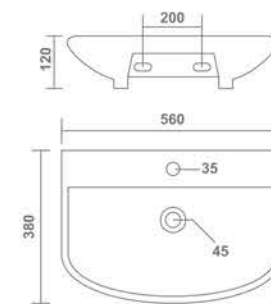
1009 - Verna

L650xW350xH720mm
S Trap - 225mm(9")



5551 - Compaq

L395xW375xH280mm | 15"X15"



3302 - Yana

L560xW380xH120mm | 22"X15"



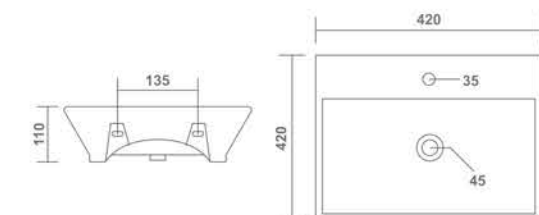
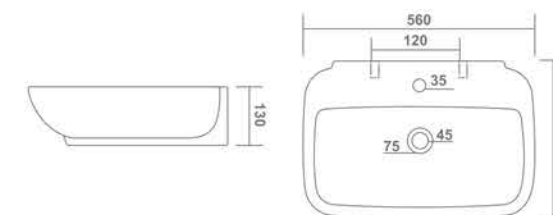
3331 - Specto

L560xW420xH130mm | 22"X16"



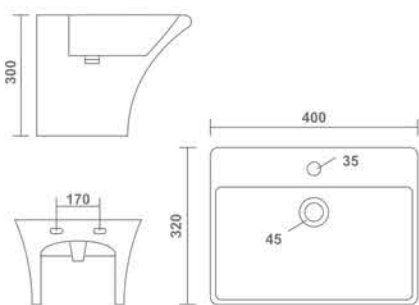
3313 - Erica

L420xW420xH110mm | 16"X16"



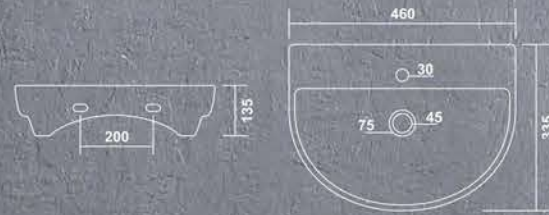
5552 - Sigma

L400xW320xH300mm | 16"X12"

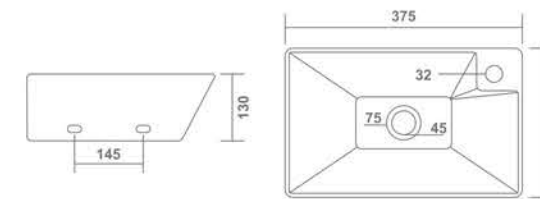


4409 - Arya

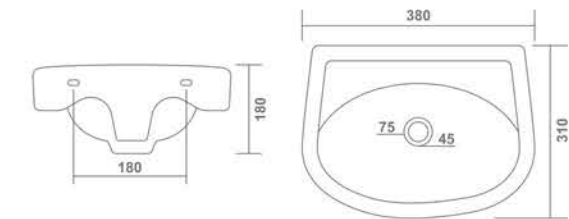
L460xW335xH135mm | 18"X13"



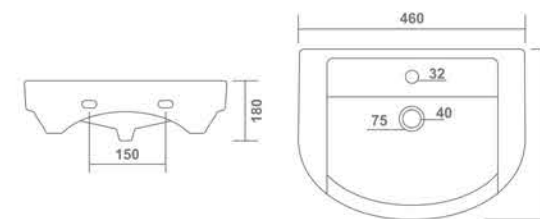
4401 - Niki L375xW270xH130mm | 15"X11"



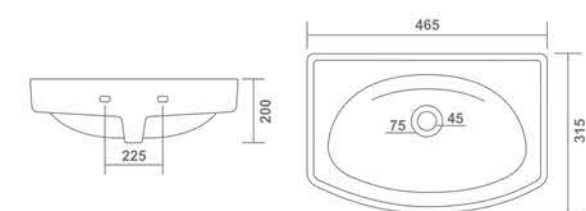
4402 - Doli L380xW310xH180mm | 14"X11"

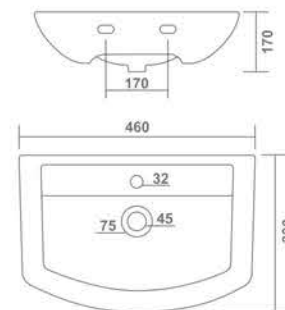


4403 - Lena L460xW365xH180mm | 18"X14"



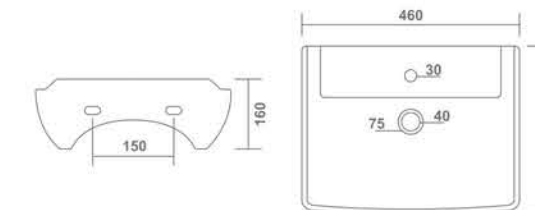
4404 - Ruby L465xW315xH200mm | 18"X12"





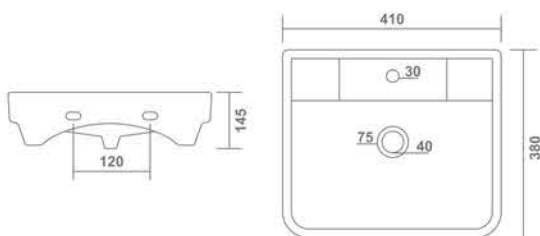
4405 - Mexy

L460xW330xH170mm | 18"X13"



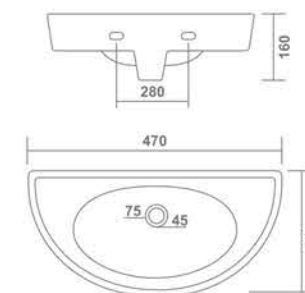
4407 - Archi

L460xW350xH160mm | 18"X14"



4406 - Bela

L410xW380xH145mm | 16"X15"

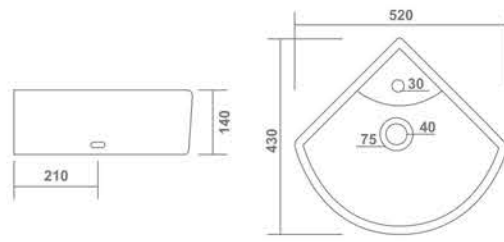


4408 - Krisha

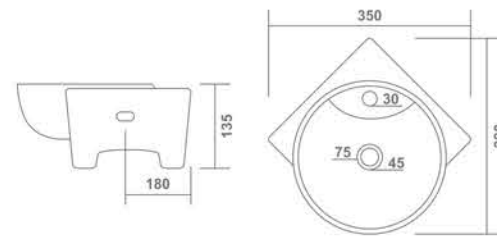
L470xW260xH160mm | 18"X10"



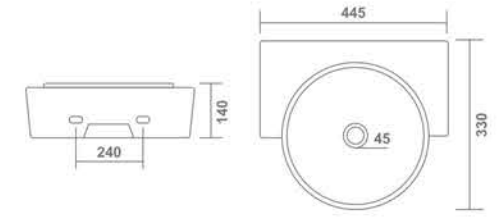
4410 - Corner L520xW430xH140mm | 20"X17"



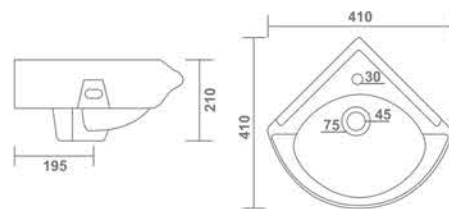
4411 - Corner L350xW380xH135mm | 14"X15"



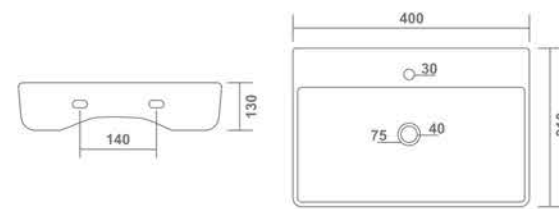
4414 - Alvin L445xW330xH140mm | 18"X13"



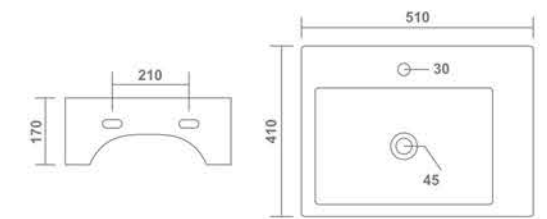
4422 - Corner L410xW410xH210mm | 16"X16"



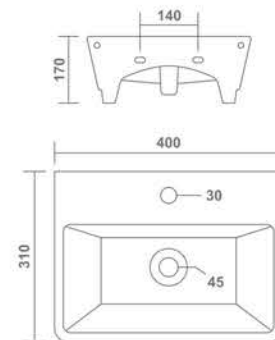
4413 - Eva L400xW310xH130mm | 16"X12"



4416 - Decor L510xW410xH170mm | 20"X16"



4415 - Pixa L560xW410xH120mm | 22"X16"



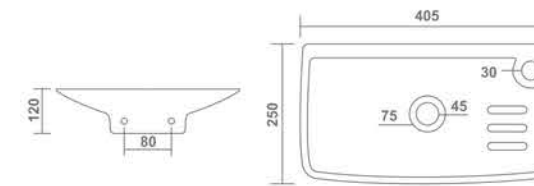
4417 - Cube

L400xW310xH170mm | 16"X12"



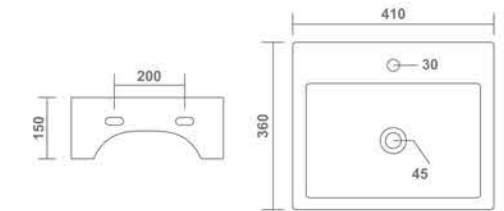
4419 - Vipro

L405xW250xH120mm | 16"X10"



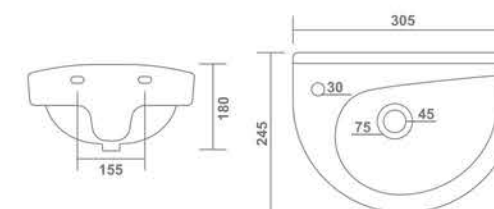
4420 - Navya

L410xW360xH150mm | 16"X14"



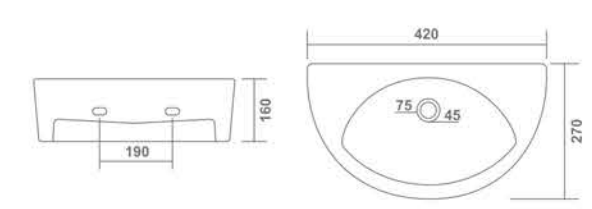
4421 - Sara

L305xW245xH180mm | 12"X9"



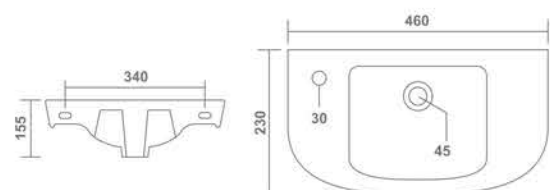
4412 - Leo

L420xW270xH160mm | 16"X10"



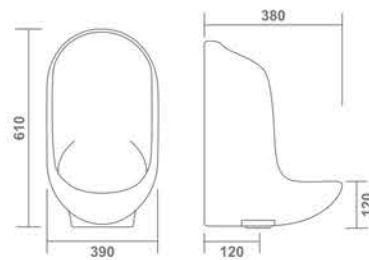
4418 - Opel

L460xW230xH155mm | 18"X9"

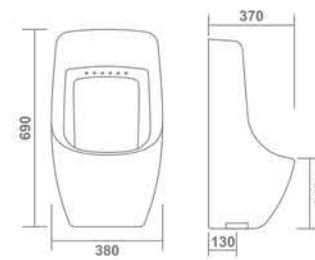




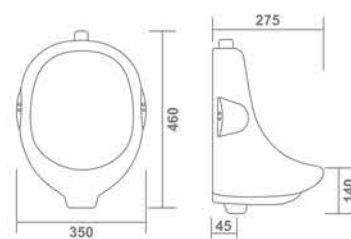
701 - Large Urinal L390xW380xH610mm



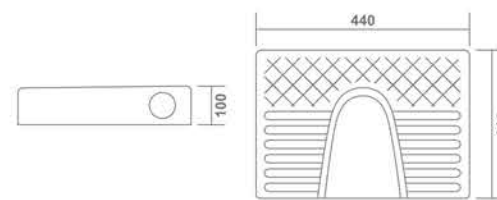
702 - Accord Urinal L380xW370xH690mm



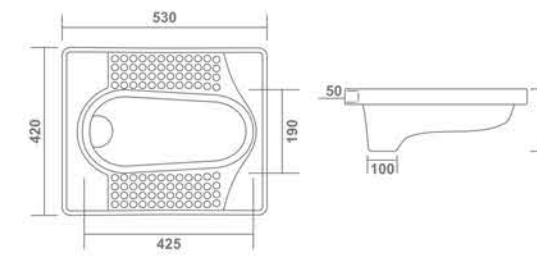
704 - Flatback Urinal L350xW275xH460mm



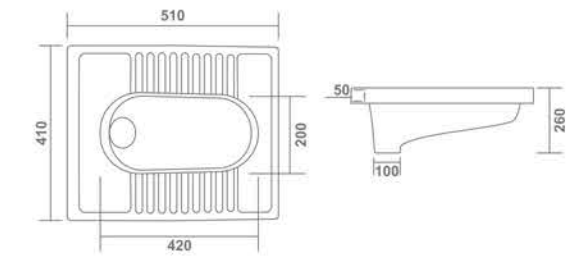
703 - Squatting Urinal L440xW360xH100mm



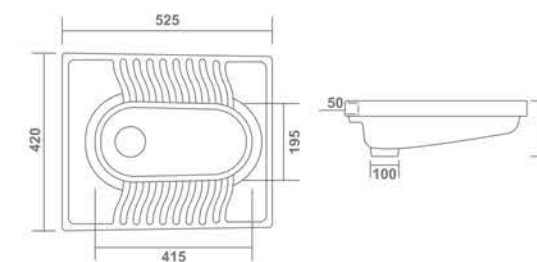
Aqua Pan (21'') L530xW420xH265mm



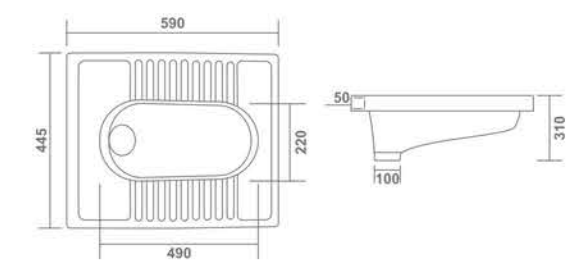
Orissa Pan (20'') L510xW410xH260mm



CT Pan (20'') L525xW420xH180mm



Orissa Pan (23'') L590xW445xH310mm





DESIGNER SERIES

WASH BASIN PEDESTAL
WALL HUNG
ONE PIECE
TABLE TOP



Serena-501

L560xW420xH930mm | 22"X16"



Serena-504

L560xW420xH930mm | 22"X16"



Serena-505

L560xW420xH930mm | 22"X16"



Serena-502

L560xW420xH930mm | 22"X16"



Serena-503

L560xW420xH930mm | 22"X16"



Serena-506

L560xW420xH930mm | 22"X16"



Serena-507

L560xW420xH930mm | 22"X16"



Serena-508 | L560xW420xH930mm | 22"X16"



Serena-509 | L560xW420xH930mm | 22"X16"



Euro-533 | L570xW430xH850mm | 22"X17"



Euro-531 | L570xW430xH850mm | 22"X17"



Euro-532 | L570xW430xH850mm | 22"X17"



Euro-534 | L570xW430xH850mm | 22"X17"



Euro-535 | L570xW430xH850mm | 22"X17"



Deluxe-591 | L570xW440xH850mm | 22"x17"



Deluxe-592 | L570xW440xH850mm | 22"x17"



Dolphin-563 | L460xW545xH875mm | 18"x21"



Dolphin-561 | L460xW545xH875mm | 18"x21"



Dolphin-562 | L460xW545xH875mm | 18"x21"



Dolphin-564 | L460xW545xH875mm | 18"x21"



Dolphin-565 | L460xW545xH875mm | 18"x21"



Dolphin-566 | L460xW545xH875mm | 18"X21"



Dolphin-567 | L460xW545xH875mm | 18"X21"

WALL HUNG



601 - Morden | L510xW365xH350mm

611 - Rapid

L670xW380xH730mm





Alfa - 301 | L600xW410xH110mm | 24"x16"



Alfa - 302 | L600xW410xH110mm | 24"x16"



Apple - 308 | L420xW350xH170mm | 16"x14"



Apple - 309 | L420xW350xH170mm | 16"x14"



Alfa - 303 | L600xW410xH110mm | 24"x16"



Alfa - 304 | L600xW410xH110mm | 24"x16"



Apple - 310 | L420xW350xH170mm | 16"x14"



Apple - 311 | L420xW350xH170mm | 16"x14"



Alfa - 305 | L600xW410xH110mm | 24"x16"



Alfa - 306 | L600xW410xH110mm | 24"x16"



Apple - 312 | L420xW350xH170mm | 16"x14"



Apple - 338 | L420xW350xH170mm | 16"x14"



Apple - 339

L420xW350xH170mm | 16"X14"



Apple - 356

L420xW350xH170mm | 16"X14"



Cherry - 363

L420xW350xH170mm | 16"X14"



Apple - 340

L420xW350xH170mm | 16"X14"



Apple - 341

L420xW350xH170mm | 16"X14"



Lia - 313

L410xW410xH160mm | 16"X16"



Lia - 314

L410xW410xH160mm | 16"X16"



Apple - 342

L420xW350xH170mm | 16"X14"



Apple - 343

L420xW350xH170mm | 16"X14"



Lia - 315

L410xW410xH160mm | 16"X16"



Lia - 391

L410xW410xH160mm | 16"X16"



Toyo - 316 L430xW430xH130mm | 17"X17"



Toyo - 321 L430xW430xH130mm | 17"X17"



Toyo - 322 L430xW430xH130mm | 17"X17"



Toyo - 317 L430xW430xH130mm | 17"X17"



Toyo - 318 L430xW430xH130mm | 17"X17"



Toyo - 323 L430xW430xH130mm | 17"X17"



Toyo - 324 L430xW430xH130mm | 17"X17"



Toyo - 319 L430xW430xH130mm | 17"X17"



Toyo - 320 L430xW430xH130mm | 17"X17"



Toyo - 325 L430xW430xH130mm | 17"X17"



Toyo - 326 L430xW430xH130mm | 17"X17"



Toyo - 327 | L430xW430xH130mm | 17"x17"



Toyo - 328 | L430xW430xH130mm | 17"x17"



Smile - 365 | L490xW325xH140mm | 19"x13"



Toyo - 330 | L430xW430xH130mm | 17"x17"



Toyo - 390 | L430xW430xH130mm | 17"x17"



Smile - 366 | L490xW325xH140mm | 19"x13"



Smile - 367 | L490xW325xH140mm | 19"x13"



Smile - 348 | L490xW325xH140mm | 19"x13"



Smile - 360 | L490xW325xH140mm | 19"x13"



Smile - 395 | L490xW325xH140mm | 19"x13"



Smile - 396 | L490xW325xH140mm | 19"x13"



Pluto - 354 | L485xW390xH140mm | 19"X15"



Vista - 333 | L610xW470xH140mm | 24"X19"



Vista - 334 | L610xW470xH140mm | 24"X19"



Pluto - 361 | L485xW390xH140mm | 19"X15"



Pluto - 393 | L485xW390xH140mm | 19"X15"



Vista - 359 | L610xW470xH140mm | 24"X19"



Vista - 368 | L610xW470xH140mm | 24"X19"



Vista - 331 | L610xW470xH140mm | 24"X19"



Vista - 332 | L610xW470xH140mm | 24"X19"



Vista - 369 | L610xW470xH140mm | 24"X19"



Vista - 394 | L610xW470xH140mm | 24"X19"



Viva - 337 | L480xW365xH130mm | 19"x14"



Viva - 371 | L480xW365xH130mm | 19"x14"



Nixon - 350 | L460xW340xH130mm | 18"x13"



Nixon - 351 | L460xW340xH130mm | 18"x13"



Viva - 372 | L480xW365xH130mm | 19"x14"



Viva - 373 | L480xW365xH130mm | 19"x14"



Nixon - 352 | L460xW340xH130mm | 18"x13"



Nixon - 353 | L460xW340xH130mm | 18"x13"



Viva - 374 | L480xW365xH130mm | 19"x14"



Nixon - 349 | L460xW340xH130mm | 18"x13"



Nixon - 392 | L460xW340xH130mm | 18"x13"



Tora - 370 | L460xW340xH130mm | 18"x13"



Smart - 362 | L500xW380xH130mm | 20"x15"



Lotus - 344 | L450xW450xH140mm | 18"x18"



Lotus - 345 | L450xW450xH140mm | 18"x18"



Smart - 355 | L500xW380xH130mm | 20"x15"



Smart - 397 | L500xW380xH130mm | 20"x15"



Lotus - 346 | L450xW450xH140mm | 18"x18"



Lotus - 389 | L450xW450xH140mm | 18"x18"



Smart - 398 | L500xW380xH130mm | 20"x15"



Smart - 399 | L500xW380xH130mm | 20"x15"



Star - 347 | L520xW420xH155mm | 20"x16"



Star - 380 | L520xW420xH155mm | 20"x16"



Zucca - 364 | L580xW375xH140mm | 23"x15"



Selvo - 384 | L465xW465xH120mm | 18"x18"



Selvo - 385 | L465xW465xH120mm | 18"x18"



Aron - 381 | L420xW420xH140mm | 16"x16"



Aron - 400 | L420xW420xH140mm | 16"x16"



Selvo - 386 | L465xW465xH120mm | 18"x18"



Selvo - 387 | L465xW465xH120mm | 18"x18"



Plazma - 382 | L420xW420xH170mm | 16"x16"



Plazma - 383 | L420xW420xH170mm | 16"x16"



Spice - 375 | L420xW420xH125mm | 16"x16"



Spice - 376 | L420xW420xH125mm | 16"x16"



Spice - 377 | L420xW420xH125mm | 16"X16"



Spice - 378 | L420xW420xH125mm | 16"X16"



Spice - 379 | L420xW420xH125mm | 16"X16"



Sheep - 401 | L555xW385xH115mm | 22"X15"



Zucca - 402 | L580xW375xH140mm | 23"X15"



Orbit - 403 | L405xW405xH125mm | 16"X16"



Anglo S/P



E.W.C. S/P, Concealed



1006, 1010, 2008



1013



1008, 1009, 1012, 2004, 2005, 2009, 2012



1011, 2006, 2007, 2010, 2011



P-trap



Flush Kit



Rag Bolt



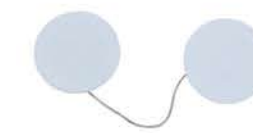
Gasket



Urinal Clamps 701, 702



Top Fixing Bolt



Side Cap



Washer

TROUBLESHOOTING GUIDE

ITEM	PROBLEM	PROBABLE REASONS	CORRECTIVE ACTIONS
Wash Basins / Table Top	1. Overflow Chocked And Foul Bed Odor	Waste Coupling Used May Be Full Threaded	Waste Coupling Should Be Changed To Slot Cut Coupling
	2. Water Deposit On Tap Platform Area And Inside Bowl Area	Basin Is Not Fixed In Level Or Bracket Is Not In Level	Should Be Done By Proper Leveling
	3. There Is No Tap Hole In Basin	Tap Hole Could Be Semi Punched From Back Side	Tap Hole Should Be Created By Plumber From Semipunched Area
Ewc / Pan / Anglo Indian	1. Water Not Coming In Bowl Area While Flushing	Flush Bend Is Not Inserted Up To The End Of Inlet Hole	Insert The Flush Pipe Up To The End Of Inlet (For Pan Closet: Check Whether Flush Pipe Is Not Covering Flush Hole Which Is In Both Side Of Inlet Wall
		Closet / Pan May Be Not Leveled	Should Be Done By Proper Leveling
One Piece Closet	1. Water Not Coming In Bowl Area While Flushing	Mechanism Inside Tank Could Not Working Properly	Change The Centre Pump Of Mechanism
		There Is No Water In Flush Tank	Increase The Ball Cock Height To The Max Level
	2. Water Is Continuously Leaking Inside The Bowl	Mechanism Inside Tank Could Not Working Properly	Change The Centre Pump Of Mechanism
	3. Water Quantity Insufficient For Effective Flushing	Ball Cock Height Adjusted At Lower Level	Increase The Ball Cock Height To The Max Level
Wallhung Water Closet	1. Water Not Coming In Bowl Area While Flushing	Flush Valve May Not Working Properly / Concealed Cistern Is Not Working Properly	Should Change Flush Valve / Concealed Cistern
		Flush Pipe Is Not Inserted Up To The End Of Inlet Hole	Insert The Flush Pipe Up To The End Of Inlet
	2. Water Is Continuously Leaking Inside The Bowl	Closet Is Not Leveled Properly	Closet Should Be In Proper Level
Couple Closet (2 Pcs Closet)	1. Uneven Flow Of Water From Both Side Of Closet Bowl	Both Arm Of Diverter Pipe Not Inserted Equally In Both Side Of The Closet	Both Arm Of Diverter Pipe Should Be Inserted Equally In Both Side Of The Closet
		Diverter Pipe Not Fixed Properly In The Outlet Of Cistern	Diverter Pipe Should Be Fixed Properly In The Outlet Of Cistern
Couple Closet (2 Pcs Closet)	2. Water Is Leaking Between The Cistern And Closet	Rubber Ring Containing Bolt Is Not Tightened Properly	Rubber Ring Containing Bolt Should Be Tightened Properly

COLOURS



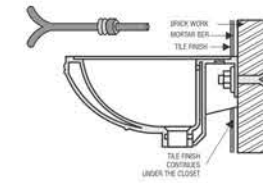
STAR WHITE



IVORY

NOTE :

- Colours printed above may differ from original colours of ceramics. For actual selection refer samples or shade board.
- Due to continuous upgradations, product specifications may change time to time.



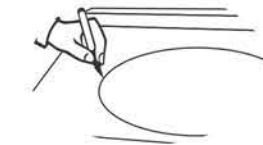
WALL HUNG BASIN

As per shown in the picture, the rag bolt must be grouted into the cement/concrete wall. The bolts must be fixed to the cement/concrete wall. Allow setting & checking than install it using nut and washer.

COUNTER WASHBASIN

At the beginning

1. A skilled or experienced person should install counter lavatories.
2. Avoid using adhesive with this product.
3. Check the waste area and supply tubing if required.
4. Do not open the lavatory from its protective carton until you are ready for installation.
5. Please follow all local building and plumbing codes.



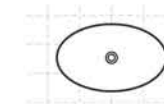
MATERIAL & TOOLS

Measure tape, Keyhole or saber saw, Hammer, Glasses, Rags or Paper toweling, Drill (1/2 dia, drill bit or larger), Pencil, sealant, sharp knife or scissors.

INSTALLATION OF LAVATORY

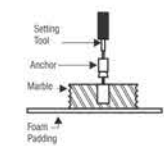
Please Note : Please install it in a way that future removal from underneath the counter top is possible without damaging the counter top.

1. Please check the desired location for clearance between the back splash, faucet, Fixture and cabinet.
2. Please cut the template.
3. Please carefully trace the template on the counter top directed.
4. Please mark the faucet hole centerline on the counter top.
5. Please drill a 1/2" pilot on the inside of the cut line.



For Wood Counter tops:

1. Mark and per-drill the wood screw holes at the locations shown on the template.
2. Waterproof any exposed areas of wood.



For Marble Counter tops:

1. Position the counter top upside down on foam padding to protect the surface. Mark and drill 3/6" holes 5/8" deep at the locations shown on the template.
2. Use a setting tool and hammer to secure the anchors.



For All Installations:

1. If the counter top has not been installed, install it at this time.
2. Drill the faucet holes according to the faucet installation instructions.
3. Install the faucet to the counter top according to the manufacture's instructions.
4. Install the drain to the lavatory according to the manufacture's instructions.

MAINTENANCE

Like any other part of your house, the bathroom can be made to look great and made to last long if it is taken care of regularly. To make your bathroom beautiful here are some invaluable tips.

Wash Basin :

A mild detergent can be used to wash the basin at least once a day. After washing, the basin should be wiped out clearly to avoid water stains.

Closets :

Cleanser like Harpic can be used to clear the closet with soft plastic brush, at least once a day.

To avoid minute discoloring, after flushing the toilet give it a once over with the soft brush.

Keep the toilet brush handy in a convenient stand nearby.

In case of toilets and basins, if there has been no maintenance since long period of time, water deposits and discoloration can form on the surface of areas that get wet. In such cases, these stains/marks can be removed with the help of a solution of dilute hydrochloric acid.

Clean with a soft cotton cloth and warm water with soap.

Do not use thinner, day cleaning liquids or powder paste. Use a liquid cleaner at least twice a week.

Use brasso or car rubbing compound and then polish with a cloth to remove fine scratches.